

## Audio/Video Receiver Pro-Series

Refer to your Owner's Manual for complete instructions.

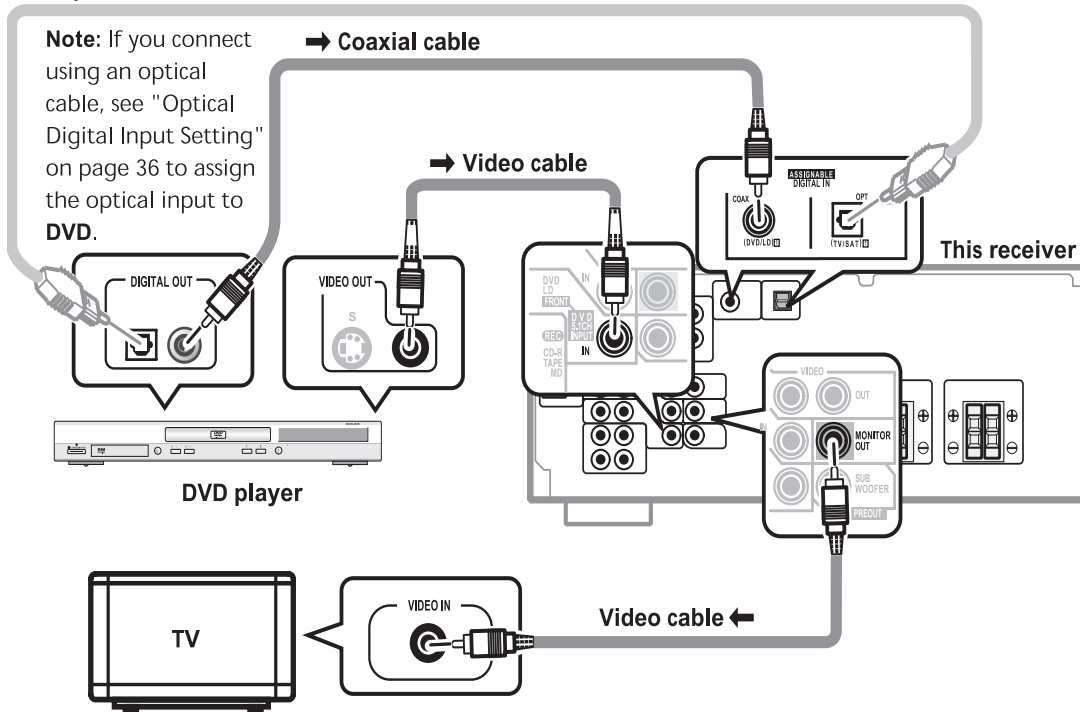
### Connecting A/V Components

→ Optical cable

**Note:** If you connect using an optical cable, see "Optical Digital Input Setting" on page 36 to assign the optical input to DVD.

→ Coaxial cable

→ Video cable



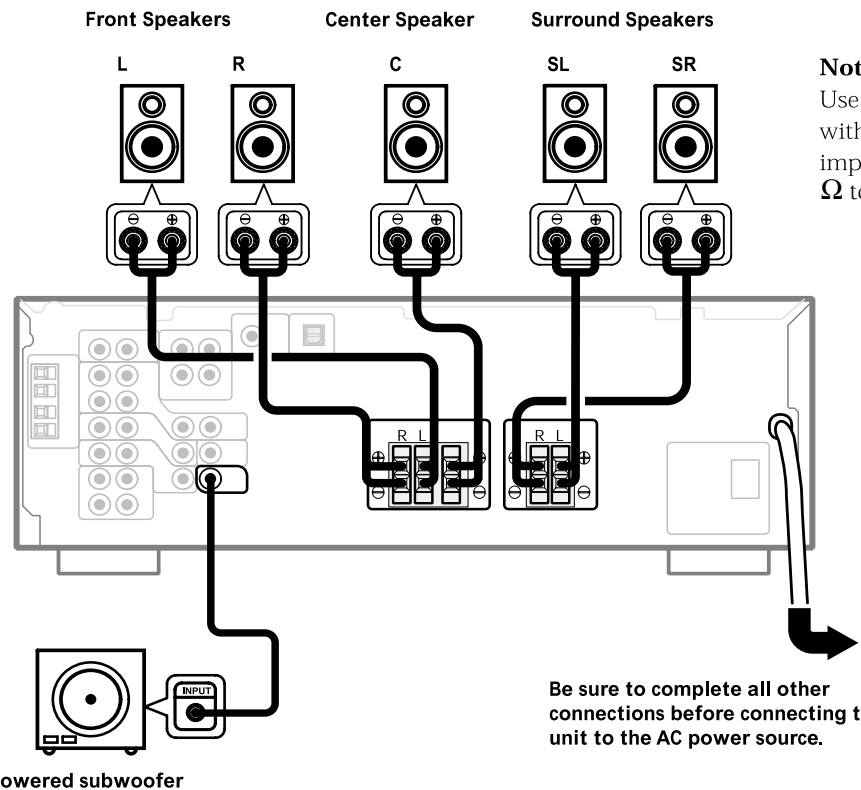
- Use a video cable to connect **MONITOR OUT** on this receiver to a TV's **VIDEO IN** (as shown in the diagram.)
- You can use either a coaxial or an optical cable to connect a DVD player to this receiver as shown in the diagram.
- In order to save time connecting your system for surround sound, use the receiver's default settings.

### Placing the Speakers



- Place the center speaker directly above or below the TV so that the sound of the center channel is localized at the TV.
- If possible, place the surround speakers slightly above ear level.
- Try to place all the speakers at an equal distance from the listening position.

### Connecting Speakers



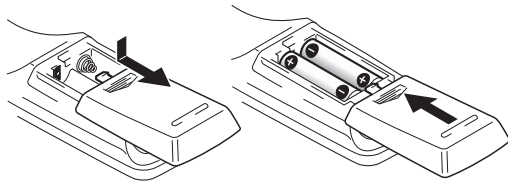
Powered subwoofer

**Be sure to complete all other connections before connecting this unit to the AC power source.**

- The receiver will work with just two stereo speakers (FRONT), but using at least three speakers (2 FRONT and a CENTER) is recommended, and a complete setup of six speakers (as shown) is best.
- Make sure you connect the speaker on the right to the RIGHT terminal and the speaker on the left to the LEFT terminal.
- Make sure to match the positive and negative (+/-) terminals on the receiver to the (+/-) on the speaker.
- If you are not using a subwoofer, change the front speaker setting to large. (See "Speaker Setting" on page 34 of your Owner's Manual.)

### INSTALLING BATTERIES IN THE REMOTE

The remote requires two AA batteries (not supplied).



- Dispose of old batteries promptly and properly.
- Do not burn or bury batteries.
- Use only fresh batteries of the required size and recommended type.
- Do not mix old and new batteries, different types of batteries (standard, alkaline, or rechargeable), or rechargeable batteries of different capacities.
- If you do not plan to use the remote for several months, remove the batteries. Batteries can leak chemicals that can destroy electronic parts.